




**Description**

The Truffle-KTR24 is the smallest model in the compact line of Truffle subwoofer.

The source subwoofer has a frequency range of 45 Hz to 150 Hz and is comprised of a single 4" driver with passive radiators. Easy to conceal, the Truffle-KTR24 has an 8"-long cylindrical speaker box equipped with one 4"

active driver on one end and one 4" passive speaker on the other, making the box a perfect omnidirectional low-end source.

This subwoofer provides the low-end frequencies for the Azimut-KAMUT2L1 audio system.

Colors	Premium Finishes	Features	Frequent Applications		
Black 		Visually discreet			
		Weather resistant			

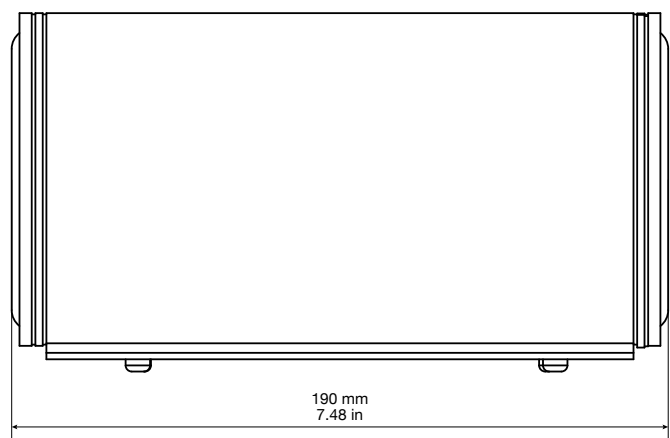
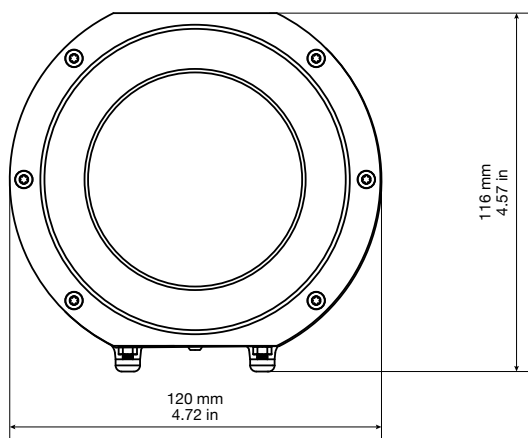
Accessories					

## Technical Specifications

General	
Type	Passive subwoofer
Drivers	4" ferrite magnet woofer with 1" voice coil
Frequency Response	45 Hz (-6dB) – 150Hz
Sensitivity	82.4 dB (1W, 1m)
Rated Power	50 W (100 W peak)
Nominal Impedance	4 $\Omega$
Crossover	External crossover required
Coverage	Omni

Handling & Finishes	
IP Rating	IP54
Dimensions & Weight	120 x 116 x 190 mm (4.7 x 4.6 x 7.48 in) 1.5 kg (3.31 lbs)
Colors & Finishes	Black textured powder paint

Accessories	
Recommended Amplifier	Kommander-KA02
Accessories	-



### Notes for data:

Passive loudspeakers require dedicated presets loaded onboard K-array amplifiers.  
New materials and designs are introduced into existing products without previous notice.  
Present systems may differ in some respects from those presented in this catalog.

