



**Description**

The Truffle-KTR25 is the medium model in the compact line of Truffle subwoofers for deeper bass experience.

The source subwoofer has a frequency range of 45 Hz to 150 Hz and is comprised of a single 5.25" driver with passive radiators. Designed to remain unseen, the Truffle-KTR25 has an 10"-long cylindrical speaker box equipped

with one 5.25" active driver and one symmetrical 5.25" passive speaker on the opposite side – perfect for an omnidirectional low-end source.

This subwoofer provides the low-end frequencies for the Azimut-KAMUT2L14 audio system.

Colors	Premium Finishes	Features	Frequent Applications		
Black ●		Visually discreet			
		Weather resistant			

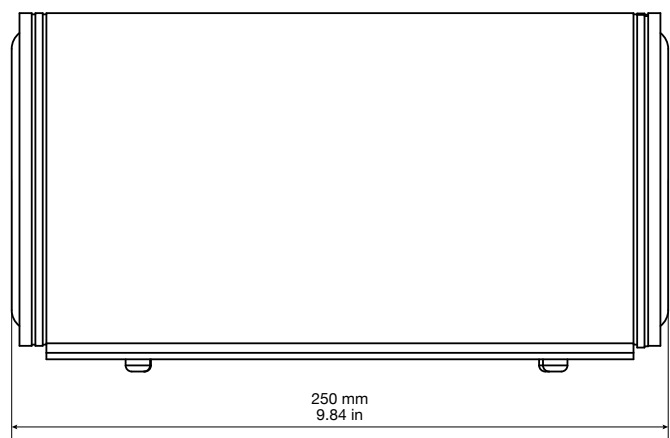
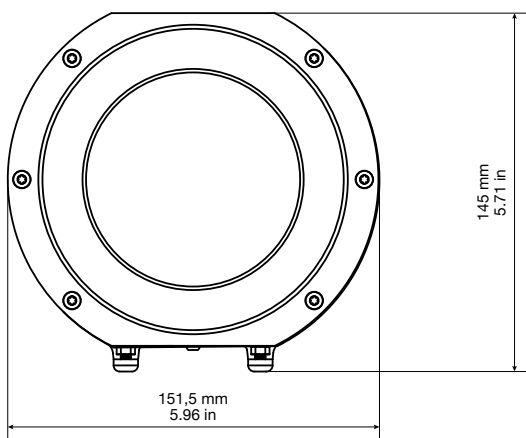
Accessories					

## Technical Specifications

General	
Type	Passive subwoofer
Drivers	5.25" ferrite magnet woofer with 1" voice coil
Frequency Response	45 Hz (-6 dB) – 150vHz
Sensitivity	85.6 dB (1 W, 1 m)
Rated Power	50 W (100 W peak)
Nominal Impedance	4 Ω
Crossover	External crossover required
Coverage	Omni

Handling & finishes	
IP Rating	IP54
Dimensions & Weight	151.5 x 145 x 250 mm (5.96 x 5.71 x 9.84 in) 2.5vkg (5.51 lbs)
Colors & Finishes	Black textured powder paint

Accessories	
Recommended Amplifier	Kommander-KA02
Accessories	-



Notes for data:  
 Passive loudspeakers require dedicated presets loaded onboard K-array amplifiers.  
 New materials and designs are introduced into existing products without previous notice.  
 Present systems may differ in some respects from those presented in this catalog.