



Description

The Truffle-KTR26 is the largest model in the compact line of Truffle subwoofers applied when low-end sustain is needed.

The source subwoofer has a frequency range of 45 Hz to 150 Hz and is comprised of a single 6.5" driver with passive radiators. For a hidden installation, the Truffle-KTR26 was designed with an 12"-long cylindrical

speaker box equipped with one 6.5" active driver on one end and one symmetrical 6.5" passive speaker on the opposite end, perfect for an omnidirectional low-end source.

This subwoofer provides the low-end frequencies for the Azimut-KAMUT2L25 audio system.

Colors	Premium finishes	Features	Frequent Applications		
Black ●		Visually discreet			
		Weather resistant			

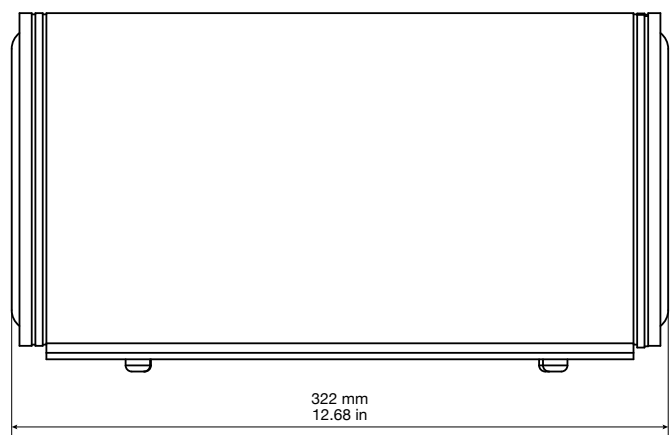
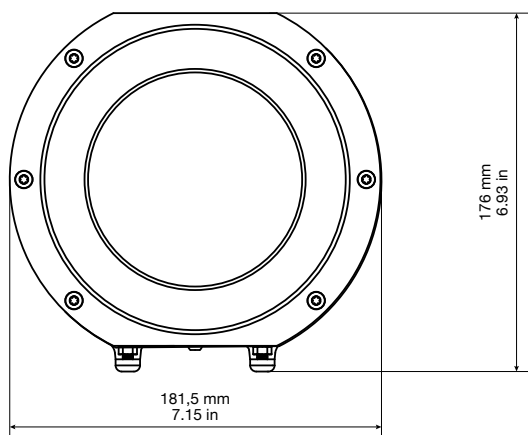
Accessories					

Technical Specifications

General	
Type	Passive subwoofer
Drivers	6.5" ferrite magnet woofer with 1" voice coil
Frequency Response	45 Hz (-6 dB) – 150 Hz
Sensitivity	89.4 dB (1 W, 1 m)
Rated Power	50 W (100 W peak)
Nominal Impedance	4 Ω
Crossover	External crossover required
Coverage	Omni

Handling & Finishes	
IP Rating	IP54
Dimensions & Weight	181.5 x 176 x 322 mm (7.15 x 6.93 x 12.68 in) 3.5 kg (7.72 lbs)
Colors & Finishes	Black textured powder paint

Accessories	
Recommended Amplifier	Kommander-KA02
Accessories	-



Notes for data:
 Passive loudspeakers require dedicated presets loaded onboard K-array amplifiers.
 New materials and designs are introduced into existing products without previous notice.
 Present systems may differ in some respects from those presented in this catalog.